

DTF Ink Mixing Machine



Used for mixing ink and adjusting color and viscosity to ensure the uniformity of ink quality and stability to ensure the quality of printed products



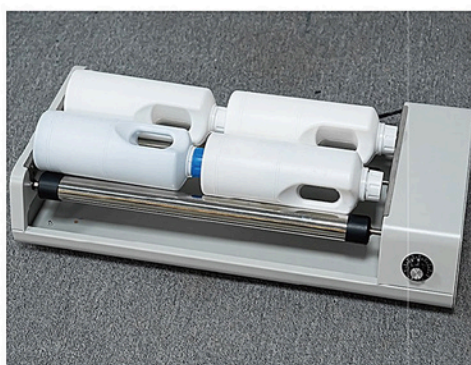
Adjustable Rotation Speed

Adjustable drum speed



Continuous operation available

Can work for long hours, greatly increasing work output

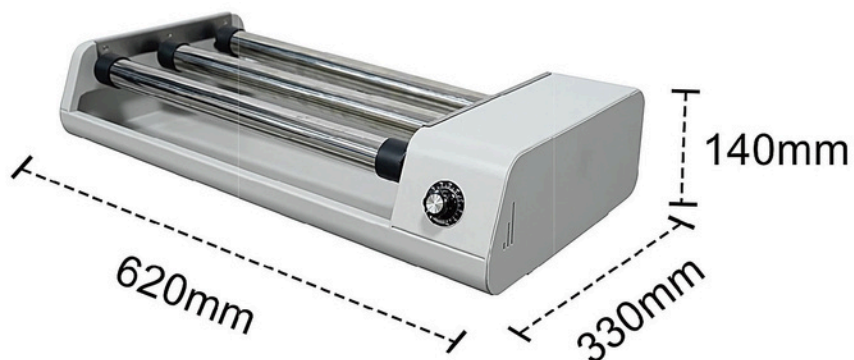


Can hold 4 bottles of ink

High capacity, up to four bottles of ink



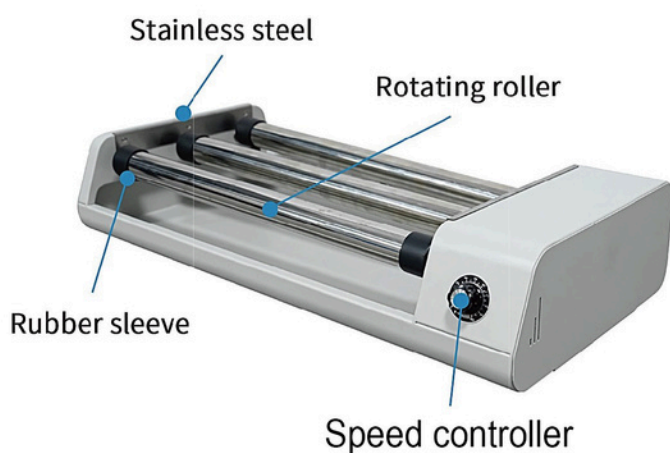
Product parameters



DTF ink



mixing machine



Leakage switch



Electrical parameters	90V~230V, rated current 0.6A, rated power 30W
Speed	45 rpm
Applicable ink bottle	Rounded 1KG×4vase round bottles 1kg*4
Machine dimensions	62cmx33cmx14cm, N.W5.9kg
Package size	66.5cmx35.9cmx17cm, G.W6.9kg